



Lightning-Fast Deployment

- Module attachment clamps install anywhere on the rail
- Module grounding integrated into the panel clamp
- Attaches to most roof standoff systems
- Adjustable rail clamp accommodates for roof variation and installation alignment issues
- Unique splice brackets require NO HOLES in rails

Maximize Your Project Dollars

- No drilling, cutting, or special tools required
- Fits all major solar modules
- Quickest system to assemble on the market

Engineered to Last

- Stainless steel and aluminum construction
- Clamps tested to over 1000 lbs pull-force
- ETL Listed to UL2703
- 15-year warranty

Engineering Support

- Project support from conception to completion
- Full layout and loading analysis for every project
- Online and onsite installation training available



*Quick-Connect
Clamps with
Integrated Grounding*



*Fits All
Modules*



*Five Parts
to Order*



**Easy to install. Built to last.
With you all the way.**

5 Parts to Order

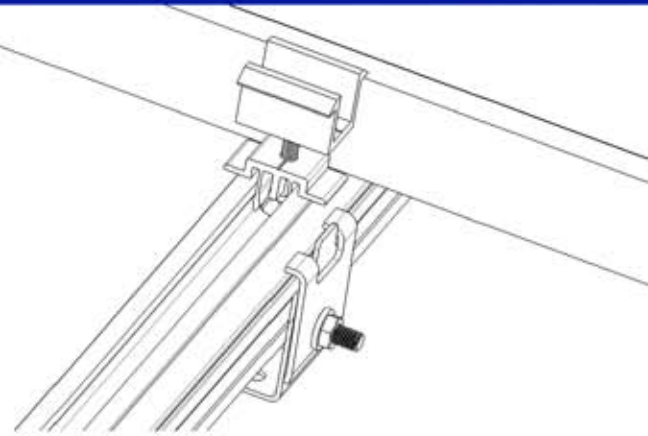
U-Bracket Clamp Assembly



Module Mid Clamp Assembly
23-51 module thickness



Module End Clamp Assembly
23-51 module thickness



Support Rail
1.8" or 2.5" section



Splice Joint Assembly



Specifications

Clamps tested to over 1000 lbs pull-force

Rails available in mill-finish or clear anodized

Unique splice brackets require NO HOLES in rails

ETL Listed to UL 2703



- Pitched Roof
- Customizable
- PE Approved
- Fast Construction
- Seismic Considerations
- No Special Tools
- Made in USA
- Ready to Ship

